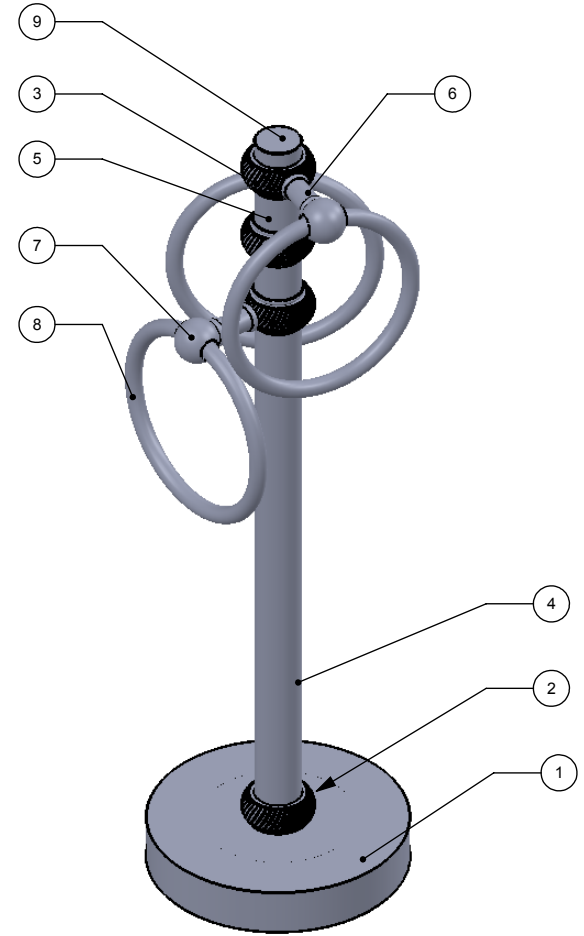
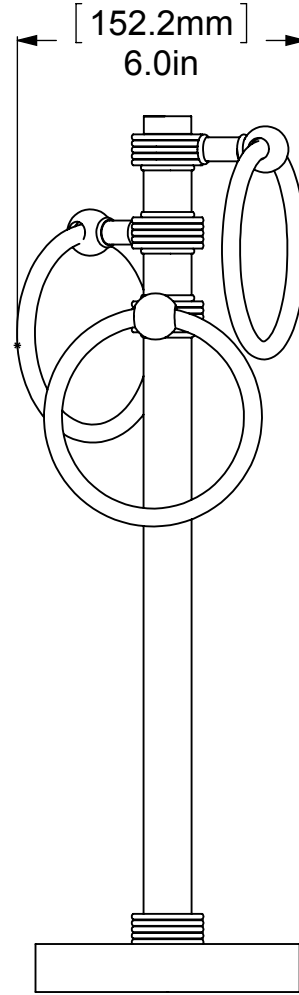
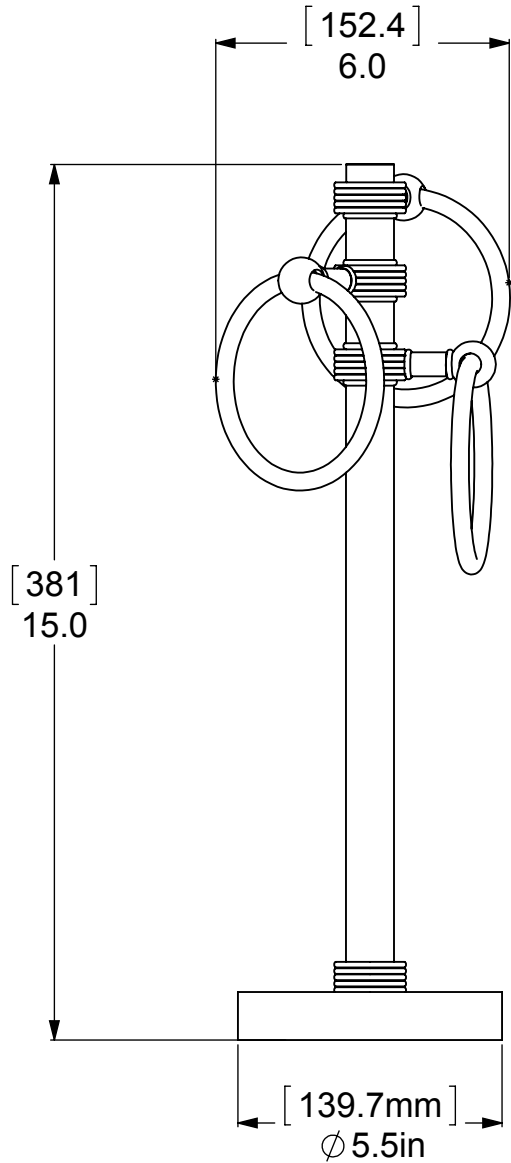


ITEM NO.	P/N	Description	QTY.
1	BSRD-5.5	BASE	1
2	RGTW	HUB-BASE	1
3	RGTWT	HUB-SUPPORT	3
4	TU1-9	TUBE BASE	1
5	TU1-1	TUBE-DIV	2
6	TU12-.75	ARM TUBE	3
7	BLTSR-1	ARM BALL	3
8	TRMT-4	RING	3
9	CARD-1	TOP CAP	1



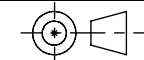
UNLESS OTHERWISE STATED

.X	±.3mm
.XX	±.15mm
.XXX	±.008mm

APPROVED FOR PRODUCTION

By: RICHARD PAUL
Date: 7-6-19

COPYRIGHT © Allied Brass 2019



THIRD ANGLE PROJECTION

DRAWN	7-6-19	I.M
CHECKED	7-6-19	P.D
APPROVED	7-6-19	R.A

MATERIAL:	BRASS		FINISH	TBD
DESCRIPTION:	Vanity Top 3 Towel Ring Guest Towel Holder		QUANTITY	TBD
			DRAWING No.	
			983T	
			SCALE	1:4
			SHEET: 01	A4